

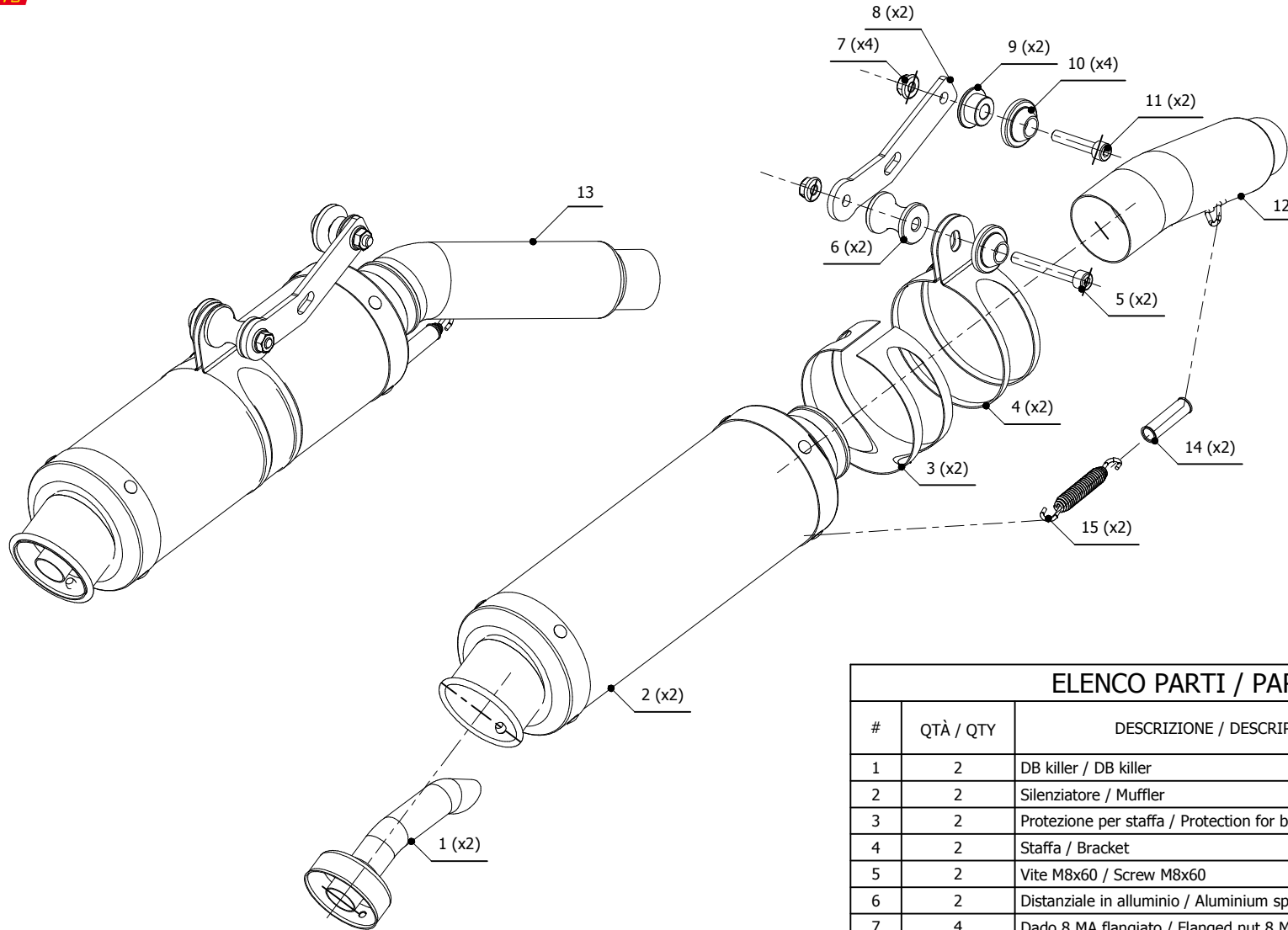


**MODEL** DUCATI MONSTER 620 (2002->) / 800-1000 (2003->) / S4 (2001->)

**LINE** SPORT

**MUFFLER** GP

**SCHEMATIC**



**ELENCO PARTI / PARTS LIST**

| #  | QTÀ / QTY | DESCRIZIONE / DESCRIPTION                        | CODICE / CODE |
|----|-----------|--|---------------|
| 1  | 2         | DB killer / DB killer                            | 50.DK.021.0   |
| 2  | 2         | Silenziatore / Muffler                           | GP            |
| 3  | 2         | Protezione per staffa / Protection for bracket   | 50.73.040.1   |
| 4  | 2         | Staffa / Bracket                                 | 50.SS.001.0   |
| 5  | 2         | Vite M8x60 / Screw M8x60                         | 50.73.078.1   |
| 6  | 2         | Distanziale in alluminio / Aluminium spacer      | 50.SS.053.1   |
| 7  | 4         | Dado 8 MA flangiato / Flanged nut 8 MA           | 50.73.052.1   |
| 8  | 2         | Staffa / Bracket                                 | 50.SS.024.1   |
| 9  | 2         | Bussola in alluminio / Aluminium bush            | 50.73.182.1   |
| 10 | 4         | Rondella in alluminio / Aluminium washer         | 50.73.063.1   |
| 11 | 2         | Vite M8x40 / Screw M8x40                         | 50.73.075.1   |
| 12 | 1         | Tubo di raccordo destro / Right link pipe        | 9773D017S2DX  |
| 13 | 1         | Tubo di raccordo sinistro / Left link pipe       | 9773D017S2SX  |
| 14 | 2         | Tubo in gomma per molla / Rubber pipe for spring | 50.73.210.1   |
| 15 | 2         | Molla lunga / Long spring                        | 50.71.080.1   |

**APPLICAZIONI / APPLICATIONS**

| CODICE / CODE | TUBO / PIPE      | SILENZIATORE / MUFFLER  | FASCETTA / CLAMP | CODICE OMOL. / HOMOL. CODE     |
|---------------|------------------|-------------------------|------------------|--------------------------------|
| D.018.L2S     | INOX / ST. STEEL | CARBONIO / CARBON FIBER | INOX / ST. STEEL | ME027 e9 1219<br>ME028 e9 1220 |
| D.018.L6S     | INOX / ST. STEEL | TITANIO / TITANIUM      | INOX / ST. STEEL | ME027 e9 1219<br>ME028 e9 1220 |