

# HONDA CMX1100 REBEL '21-

## M O U N T I N G I N S T R U C T I O N S

REF 20820

CARENABRÍS NG TOURING / WINDSHIELD NEW GENERATION TOURING



ALLEN  
Nº 3  
Nº 5

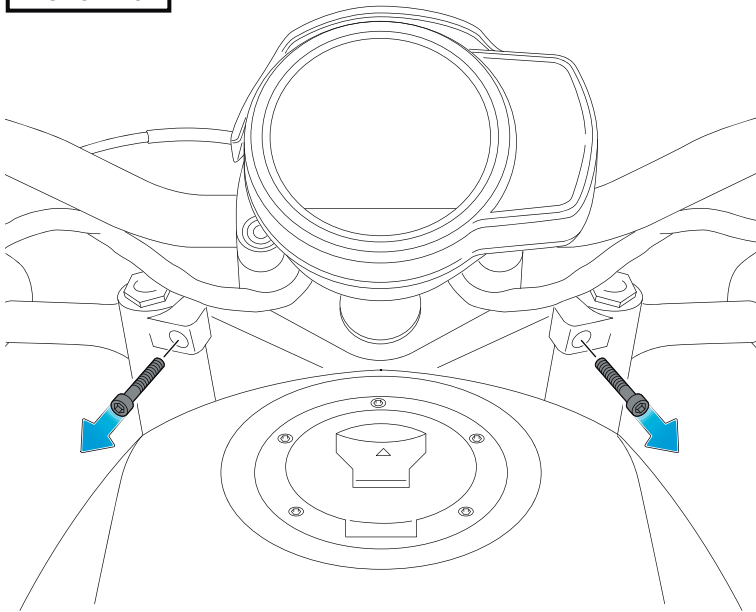
ID	PIEZA/PART	DESCRIPCIÓN	DESCRIPTION	QTY	REF
1		Cúpula Touring	Touring screen	1	20820F/H/WM3
2		Soporte derecho ( R )	Right support ( R )	1	SOPOR2P4-R20820
3		Soporte izquierdo ( L )	Left support ( L )	1	SOPOR2P4-L20820
4		Tornillo Allen M8x45 ISO 7380	M8x45 ISO 7380 Allen screw	2	TORNI-I7380-817
5		Casquillo Ø8,5x Ø13 x12	Ø8,5x Ø13 x12 Arrowhead	2	CASQUI-M----769
6		Silentblock M5	M5 silentblock	4	SILENTBTM5-046/1
7		Arandela de nylon M5x1	M5x1 nylon washer	4	ARNV00000000245
8		Tornillo Allen M5x16 Ø11 ISO7380	M5x16 Ø11 ISO7380 Allen screw	4	TORNI-I7380-493
9		Tapón tornillo M5 ISO 7380	M5 ISO 7380 screw cap	4	TAPON-----85

# HONDA CMX1100 REBEL '21-

INSTRUCCIONES DE MONTAJE - MOUNTING INSTRUCTIONS - MONTAGEANLEITUNG

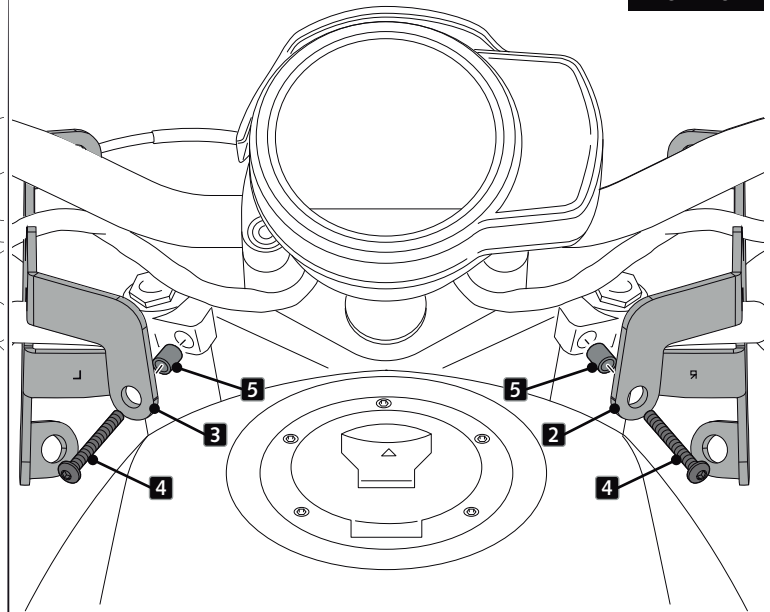
**1**

**DISASSEMBLY  
DESMONTAJE**



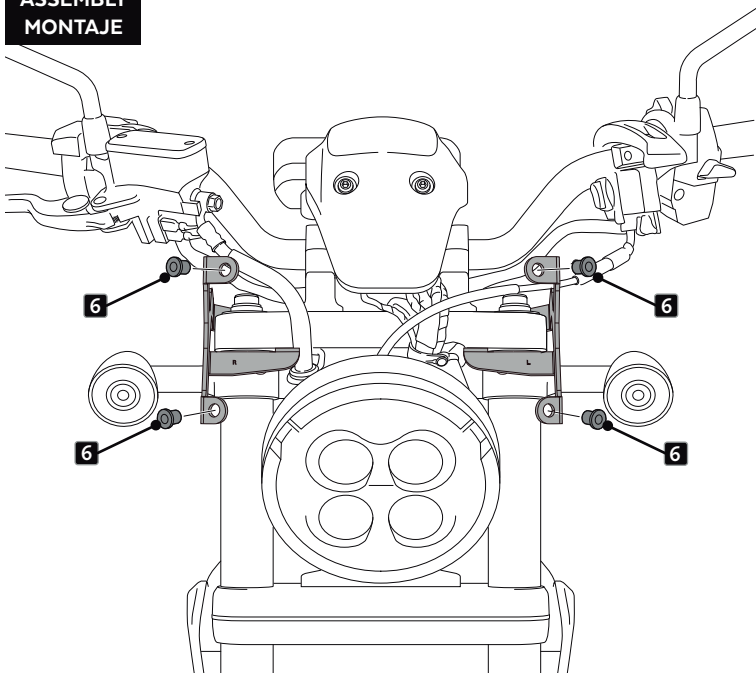
**2**

**ASSEMBLY  
MONTAJE**



**3**

**ASSEMBLY  
MONTAJE**



**4**

**ASSEMBLY  
MONTAJE**

