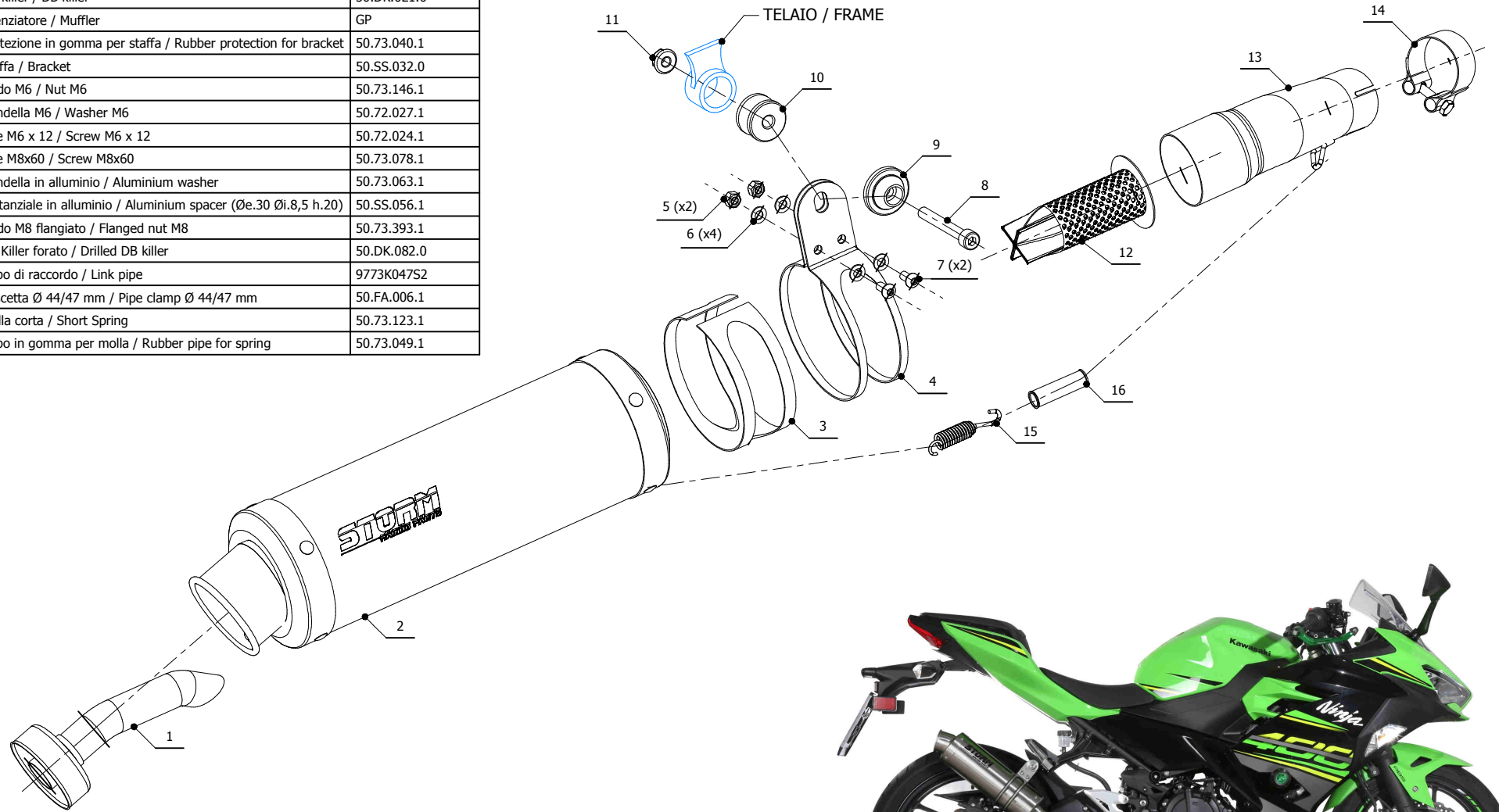


**ELENCO PARTI / PARTS LIST**

#	QTÀ / QTY	DESCRIZIONE / DESCRIPTION	CODICE / CODE
1	1	DB killer / DB killer	50.DK.021.0
2	1	Silenziatore / Muffler	GP
3	1	Protezione in gomma per staffa / Rubber protection for bracket	50.73.040.1
4	1	Staffa / Bracket	50.SS.032.0
5	2	Dado M6 / Nut M6	50.73.146.1
6	4	Rondella M6 / Washer M6	50.72.027.1
7	2	Vite M6 x 12 / Screw M6 x 12	50.72.024.1
8	1	Vite M8x60 / Screw M8x60	50.73.078.1
9	1	Rondella in alluminio / Aluminium washer	50.73.063.1
10	1	Distanziale in alluminio / Aluminium spacer (Øe.30 Øi.8,5 h.20)	50.SS.056.1
11	1	Dado M8 flangiato / Flanged nut M8	50.73.393.1
12	1	Db Killer forato / Drilled DB killer	50.DK.082.0
13	1	Tubo di raccordo / Link pipe	9773K047S2
14	1	Fascetta Ø 44/47 mm / Pipe clamp Ø 44/47 mm	50.FA.006.1
15	1	Molla corta / Short Spring	50.73.123.1
16	1	Tubo in gomma per molla / Rubber pipe for spring	50.73.049.1



**APPLICAZIONI / APPLICATIONS**

CODICE / CODE	MUFFLER / SILENZIATORE	TUBO / PIPE	FASCETTA / CLAMP
74.K.047.LXS	INOX / ST. STEEL	INOX / ST. STEEL	INOX / ST. STEEL
74.K.047.LXSB	STEEL BLACK		

